

400 PVC Compression Coupling

Specification Sheet

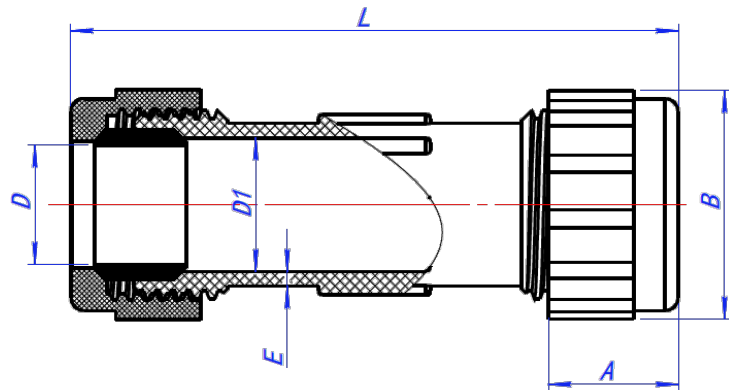
FEATURES & BENEFITS

- Fits Iron Pipe Size
- 125 PSI @ 73° F - Per ASME A112.18.1
- Sizes 1/2" - 4" Available
 - 1/2" & 3/4" - Sch. 40 Per ASTM D2466
 - 1" - 4" - Sch. 10S Per ASME B36.10 Dimensions



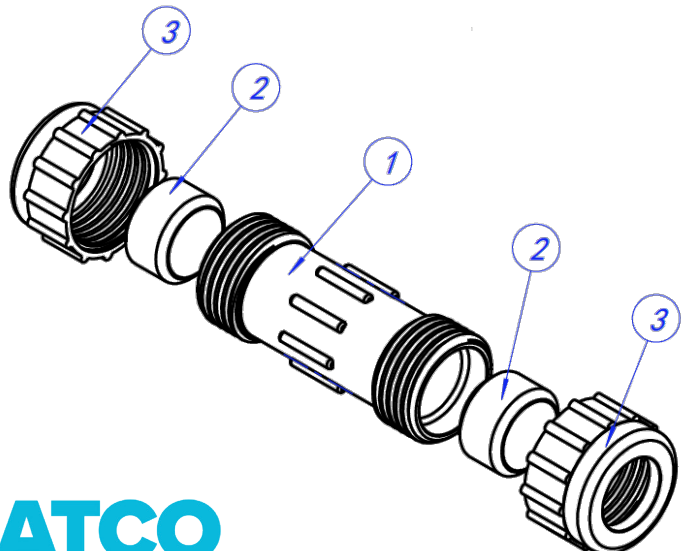
DIMENSIONS

Part #	Size (D)	L	A	B	D1	E
400T03	1/2"	5.0	1.1	1.9	0.9	0.10
400T04	3/4"	5.2	1.1	2.0	1.2	0.13
400T05	1"	6.0	1.3	2.4	1.5	0.12
400T06	1-1/4"	6.2	1.4	2.8	1.9	0.10
400T07	1-1/2"	6.7	1.5	3.1	2.1	0.13
400T08	2"	7.5	1.7	3.6	2.5	0.15
400T09	2-1/2"	9.2	1.9	4.3	3.1	0.14
400T10	3"	10.6	2.2	5.0	3.6	0.16
400T11	4"	13.1	2.5	6.0	4.6	0.18



MATERIAL SPECIFICATIONS

No.	Part	Material	Qty
1	Body	U-PVC	1
2	O-Ring	NBR	2
3	Union Nut	U-PVC	2



MATCO
NORCA